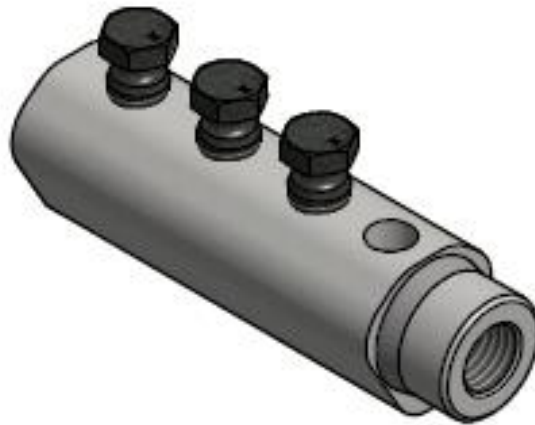


COMMERCIAL DOCUMENTATION



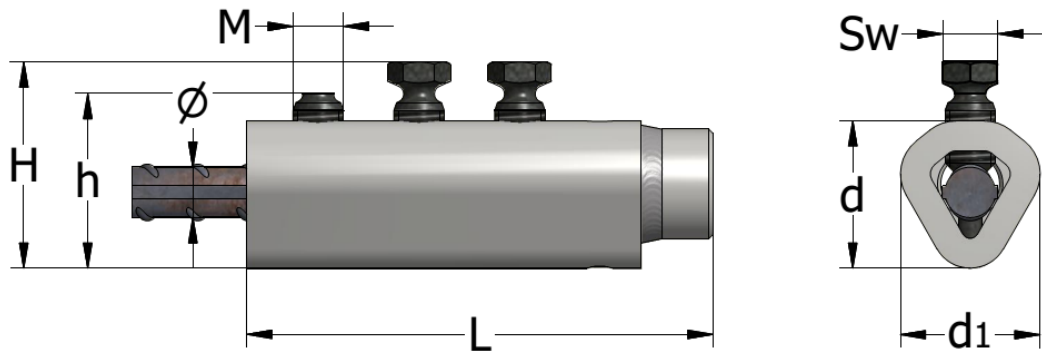
ALLIGATOR COUPLERS | **ALC-SK CONTINUITY COUPLER**



CONTINUITY COUPLER – ALC-SK

The ALLIGATOR CONTINUITY COUPLER allows reinforcement to be extended at construction joints without the need to drill the formwork at the construction joint locations. The female part of the coupler is attached to the formwork with the aid of a threaded nailing plate. After removal of the formwork and the nailing plate, the male part of the coupler can be screwed into the installed part of the coupler. The ALC-SK coupler male component has one threaded bolt and two additional locknuts mounted on it, which are used to secure the connection. The male part of the ALC-SK coupler can be replaced by a TSE coupler with a metric thread of the same size.

These couplers are also suitable for precast concrete element connections.



Type ALC-SK	Product no.	Rebar Ø [mm]	Breaking bolt number n	Breaking bolt thread M	L [mm]	d [mm]	d1 [mm]	H Unruptured Bolt [mm]	h [mm]	Bush thread	SW [mm]	Torque moment [Nm]
12	45745	12	3	M12	112	33	34	Max. 49	39	M16	13	95-115
16	45746	16	4	M12	156	37	38	Max. 57	47	M20	13	95-115
20	43578	20	5	M16	188	50	50	Max. 63	51	M24	17	190-215
25	45747	25	6	M16	255	55	54	Max. 72	60	M30	17	190-215
32	45748	32	7	M20	324	70	69	Max. 92	77	M42	22	355-415
40	45749	40	9	M20	386	76	74	Max. 101	86	M48	22	355-415

CONTACT



TERWA is the global supplier for precast and construction solutions with multiple offices around the world. With all our staff, partners and agents, we are happy to provide all construction and precast companies who work in the building industry with full service and 100% support.

TERWA CONSTRUCTION GROUP

Terwa Construction Netherlands (HQ)

Global Sales & Distribution
Kamerlingh Onneslaan 1-3
3401 MZ IJsselstein
The Netherlands
T +31-(0)30 699 13 29
F +31-(0)30 220 10 77
E info@terwa.com

Terwa Construction Central East Europe

Sales & Distribution
Strada Sânzieni
507075 Ghimbav
Romania
T +40 372 611 576
E info@terwa.com

Terwa Construction Poland

Sales & Distribution
Ul. Cicha 5 lok. 4
00-353 Warszawa
Poland
E info@terwa.com

Terwa Construction India & Middle East

Sales & Distribution
India
T +91 89 687 000 41
E info@terwa.com

Terwa Construction China

Sales & distribution
5F 504, No. 101 Chuanchang road
PRC, 200032, Shanghai
China
E info@terwa.com

ALL SPECIFICATIONS CAN BE CHANGED WITHOUT PREVIOUS NOTICE.

DISCLAIMER

Terwa B.V. is not liable for deviations due to wear of the products it has delivered. Neither is Terwa B.V. liable for damage due to inaccurate and/or improper handling and use of the products it has delivered and/or use of same for purposes other than those intended.

Terwa B.V.'s responsibility is furthermore limited in accordance with article 13 of the "Metaalunie" conditions, which are applicable for all Terwa B.V. deliveries. The user is responsible for ensuring compliance with all applicable copyright laws. Without limiting the rights under copyright, no part of this documentation may be reproduced, stored in or introduced into a retrieval system, or transmitted in any form or by any means (electronic, mechanical, photocopying, recording, or otherwise), or for any purpose, without the express written permission of Terwa B.V.